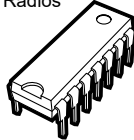


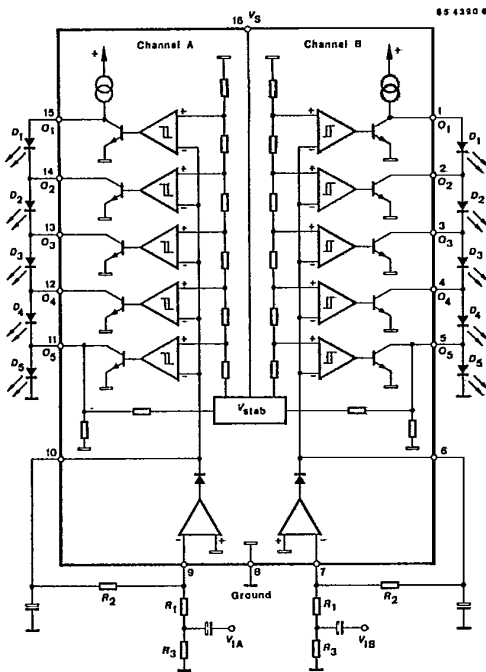
Case	Type	Description
DIP 16	U2067B	Stereo LED scale controller
DIP 20	U2068B	Stereo volume indicator for 2 x 5 LEDs and two headphone amplifiers for radio and cassette recorder
DIP 8	U244B	Driver for LED displays with 5 or 10 diodes
DIP 8	U4793B	Automotive lamp monitor
DIP 14	CD 4016BCN	Quad Bilateral Switch
DIP 28	M27C512	EPROM
SO 14	HCF4013	Dual D-type flip-flop
SO 16	ULN2002	Seven Darlington array
TSSOP20	74AC240	Octal Buffer/Line Driver with 3-STATE Outputs
SO 16	74HC4052	Dual 4-channel analog multiplexer/demultiplexer
TO 220	L7805ACV	Voltage regulator 5V
SO 16	HEF4051BT	8-channel analog multiplexer/demultiplexer
DIP 14	LM348N	Quad 741 Op Amp
SO20	ST7FLITE39F2M6	8-bit Microcontroller Single Voltage Flash
DIP 16	TL494CN	Pulse Width Modulated Control Circuit
DIP14	HCF4030B	Quad exclusive-or Gate
DIP16	74HC4017N	Johnson decade Counter
DIP 8	U643B	Warning or car direction indicator
DIP 8	U6083	PWM power control with interference suppression
SIP9	U2343	PLL Stereodecoder für Batterie- und Netz Radios



- Für nicht aufgelistete ICs sind keine Daten verfügbar
- Nicht alle aufgeführte IC's sind im Sortiment enthalten
- For unlisted ICs no data are available.
- Not all shown ICs of assortment are included.

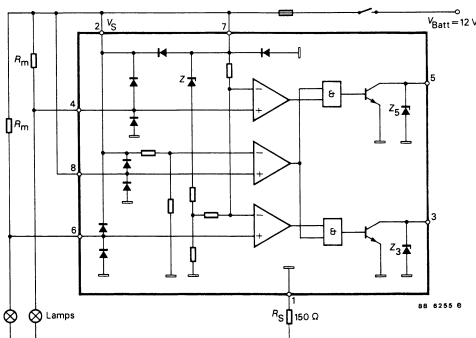
U 2066 B • U 2067 B • Stereo LED scale controller for radio, amplifier or cassette recorder

Supply voltage range	Pin 16	V_S	7...18	V
Total supply current	Pin 16	I_S	35	mA
LED current source		I_O	15	mA



U 4790 B • U 4790 B-FP • U 4791 B • U 4791 B-FP • U 4793 B
Automotive lamp monitor

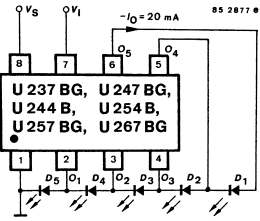
Supply voltage range	V_S	9...15	V
Supply current	I_S	4.5	mA
Control signal threshold ref. to V_S	U 4790 B	$-V_{th}$	8
	U 4791 B	$-V_{th}$	53.5
	U 4793 B	V_{th}	44



Gehäuse: DIP 8 (U 4790 B, U 4791 B)
oder
SO 8 (U 4790 B-FP, U 4791 B-FP)

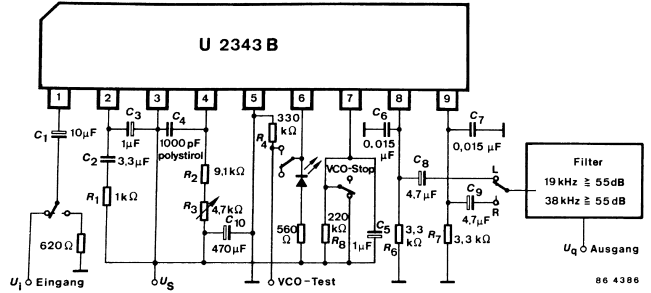
U 244 B • Driver for LED displays with 5 or 10 diodes

Supply voltage range	Pin 8	V_S	12...25	V
Output current (in series)	Pin 6	I_O	20	mA
Input threshold distance	Pin 7	ΔV_1	$\leq \pm 30$	mV



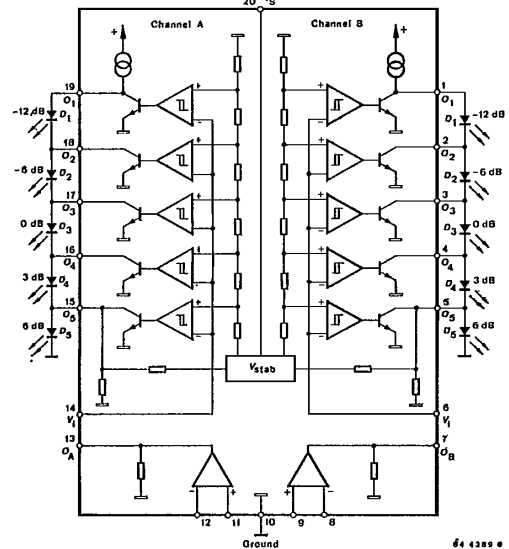
U 2343 B • PLL stereo decoder for battery and network radios

Versorgungsspannungsbereich	Pin 3	U_S	3.5...12	V
Übersprechdämpfung	Pin 8, 9	α_u	45	dB
Klirrfaktor		k	0,08	%



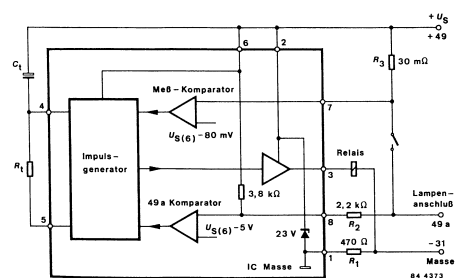
U 2068 B • Stereo volume indicator for 2 x 5 LEDs and two headphone amplifiers for radio and cassette recorder

Supply voltage range	Pin 20	V_S	7...18	V
Total supply current	Pin 20	I_S	40	mA
LED current source		I_O	15	mA



U 643 B • Warning or car direction indicator, astabiler Multivibrator

Versorgungsspannungsbereich	Pin 2, 6	$U_S (+49)$	9...15	V
Versorgungsruehstrom Dunkelzeit	Pin 2, 6	I_{SB}	≤ 8	mA
Versorgungsruehstrom Hellzeit	Pin 2, 6	I_S	≤ 11	mA
Frequenzerhoehung bei Lampenausfall		f_2	$2,15 \times f_1 \dots 2,3 \times f_1$	
Ausgangsstrom	Pin 3	I_O	≤ 300	mA



Gehäuse: DIP 8 oder SO 8